

New 64-Drop FTTH Splice Enclosure

FIST™-EDSA2

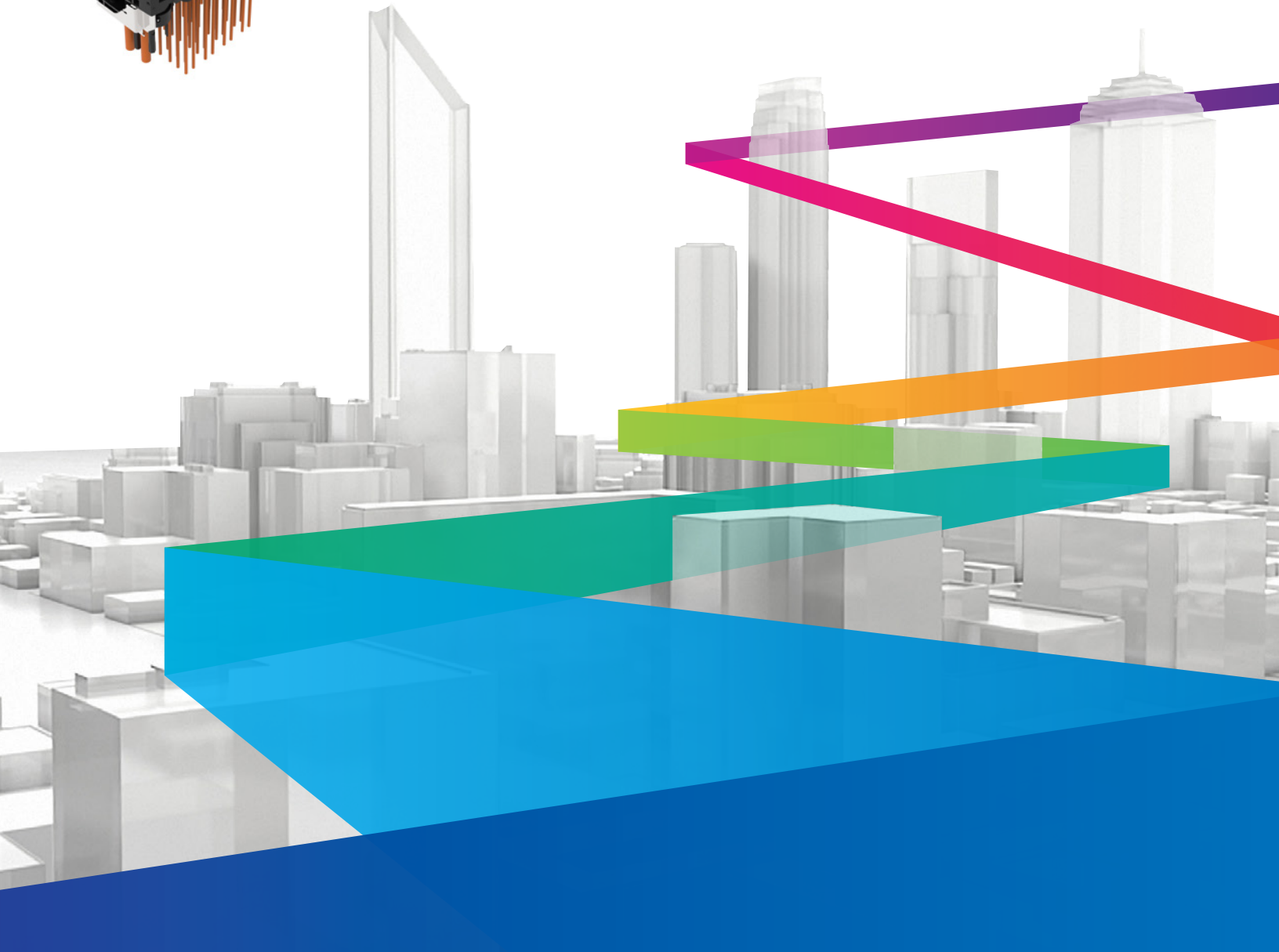
COMMSCOPE®

CommScope's fiber optic splice closures are synonymous with excellence in sealing, fiber management, ease of use, and design flexibility.



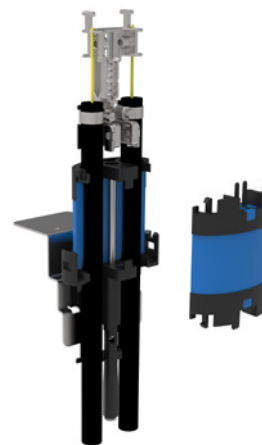
Building on more than 30 years of innovation and industry leadership, CommScope's new FIST-EDSA2 FTTH closure enables faster and easier installation of a large amount of drop cables and micro ducts.

The FIST-EDSA2 features innovative sealing and cable retention for a range of cables, combined with proven gel seal technology and FIST fiber management hardware.



FIST-EDSA2 FTTH features

- Single-ended base and dome design with only two latches
- One oval shaped gel-sealed wrap around feeder port for up to 2 feeder cables or microtubes
 - Feeder loop possibility
 - Double layer gel seal for water/gas blocking
 - Feeder cable diameter 4 to 16 mm (0.157 to 0.630 in)
- Four long oval-shaped gel-sealed wrap around drop ports for up to 12 drop cables each (maximum 48 drops)
 - Direct buried cables or microtubes
 - Drop cable diameter range: 5 to 8 mm (0.197 to 0.315 in)
- One round entry/exit port for use with multi-out gel seal kits (FIST-RSKG)
 - Blown, standard, mini- and micro-drop cables
 - Drop cable diameter range: 0 to 14 mm (0 to 0.551 in)
- Fast, easy, toolless installation
- FIST fiber management system
- Repair and upgrade possibility
- Intuitive identification
- Reliable cable attachment systems



Wrap around feeder port



Oval drop port



Round multi-out gel port

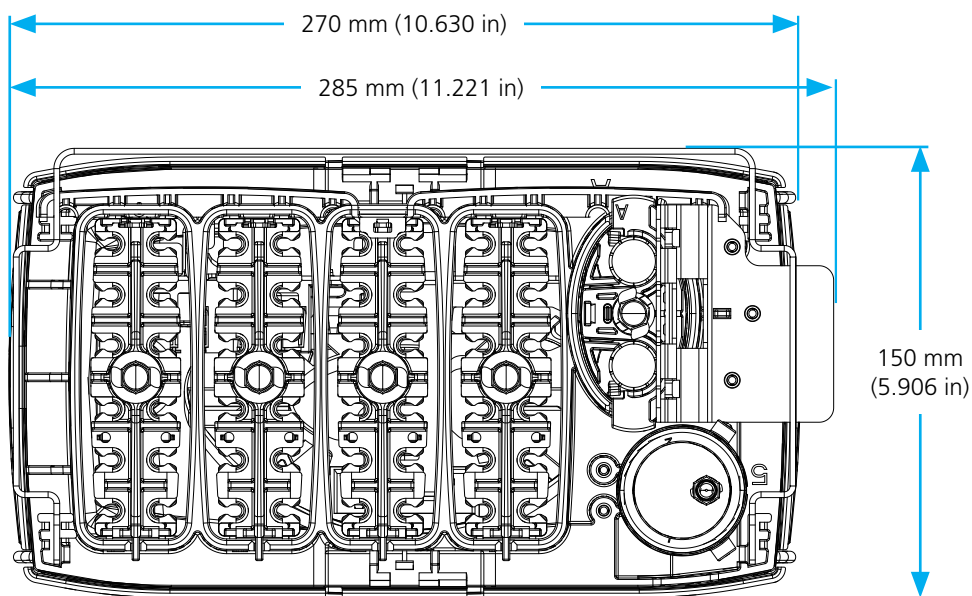
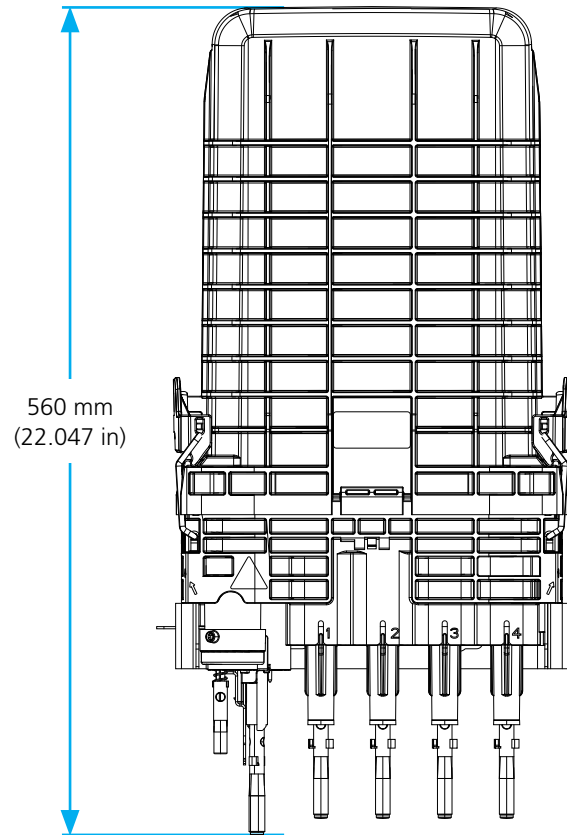
Dimensions and capacities

Dimensions

Length	560 mm (22.047 in)
Width at base	270 mm (10.630 in)
Depth at base	150 mm (5.906 in)

Cable port dimensions

Drop ports 1, 2, 3, and 4	112x40 mm (4.409x1.575 in)
Feeder port	67x40 mm (2.638x1.575 in)
Drop port 5 for multi-out gel seals	30 mm (1.181 in)



Dimensions and capacities

Cable diameter

Feeder port (2 cables/port)	4 to 16 mm (0.157 to 0.630 in)
Drop ports 1, 2, 3, and 4 (12 cables/port)	5 to 8 mm (0.197 to 0.315 in)

Drop port 5 (up to 16 cables/port)	
Multi out gel seal 1 cable	11 to 14 mm (0.433 to 0.551 in)
Multi out gel seal 2 cables	8 to 11 mm (0.315 to 0.433 in)
Multi out gel seal 3 cables	6.5 to 8 mm (0.256 to 0.315 in)
Multi out gel seal 4 cables	4 to 7 mm (0.157 to 0.276 in)
Multi out gel seal 4 flat cables	4.5x8 mm to 6.5x11 mm (0.177x0.315 in to 0.256x0.433 in)
Multi out gel seal 8 cables	3 to 5 mm (0.118 to 0.197 in)
Multi out gel seal 16 cables	0 to 2.4 mm (0 to 0.095 in)

Splice capacity

	Standard splice version D5		High capacity splice version D5H	
	Trays	Fibers	Trays	Fibers
UMS units	16		24	
Single circuit cassettes SC (up to 4 splices)	16	64	24	96
Single element cassettes SE (up to 12 splices)	8	96	12	144
Single element cassettes slim SLE (up to 12 splices)	16	192	24	288

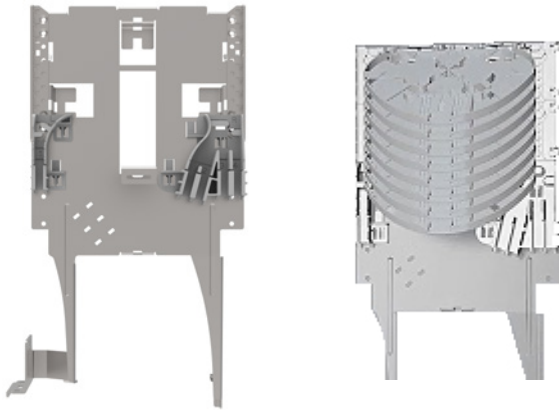
Please contact your local CommScope sales representative for more information.

Note: Use of the FIST-SOSA2-SLE limits fiber length and allowable bend radius.

Ordering information

FIST-EDSA2-D -

5 Standard splice version



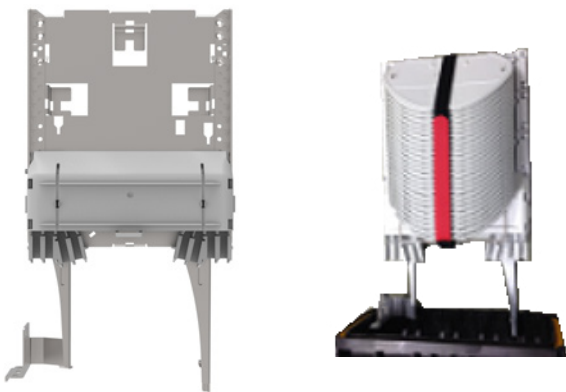
N No valve

V Valve

Kit includes:

- Closure with feeder seal
- UMS mounting frame
- FAS block and/or tube holder

5H High capacity version*





* with Fiber Arrangement System (FAS) block

Accessories

- FIST-SOSA2 splice tray kits ordered separately (see organizer datasheet)
- Mounting bracket and Drop seals ordered separately (see below)


Oval-shaped drop port

Drop gel segment 12 cables 5 to 8 mm (0.197 to 0.315 in)	EDSA-SKG12-5/8 
Dummy drop seal	EDSA-DUMMY 

Mounting accessory

Mounting bracket	EDSA-MOBRA 
------------------	---

Round-shaped drop port

		
	TPE gel	Silicone gel*
Drop gel segment 1-out; Ø 11 to 14 mm (0.433 to 0.551 in)	FIST-RSKG-1	FIST-RSKG-1-SIL
Drop gel segment 2-out; Ø 8 to 11 mm (0.315 to 0.433 in)	FIST-RSKG-2	FIST-RSKG-2-SIL
Drop gel segment 3-out; Ø 6.5 to 8 mm (0.256 to 0.315 in)	FIST-RSKG-3	FIST-RSKG-3-SIL
Drop gel segment 4-out; Ø 4 to 7 mm (0.157 to 0.276 in)	FIST-RSKG-4	FIST-RSKG-4-SIL
Drop gel segment 4F-out; 4.5x8 mm to 6.5x11 mm (0.177x0.315 in to 0.256x0.433 in)	FIST-RSKG-4F	
Drop gel segment 8-out; Ø 3 to 5 mm (0.118 to 0.197 in)	FIST-RSKG-8	FIST-RSKG-8-SIL
Drop gel segment 16-out; 0 to 2.4 mm (0 to 0.095 in)	FIST-RSKG-16	FIST-RSKG-16-SIL

*Cable jackets containing flame retardant components are advised to be combined with the Silicone gel multi-out seal

CommScope pushes the boundaries of communications technology with game-changing ideas and ground-breaking discoveries that spark profound human achievement. We collaborate with our customers and partners to design, create and build the world's most advanced networks. It is our passion and commitment to identify the next opportunity and realize a better tomorrow. Discover more at commscope.com.

COMMSCOPE®

commscope.com

Visit our website or contact your local CommScope representative for more information.

© 2021 CommScope, Inc. All rights reserved.

Unless otherwise noted, all trademarks identified by ® or ™ are registered trademarks or trademarks, respectively, of CommScope, Inc. This document is for planning purposes only and is not intended to modify or supplement any specifications or warranties relating to CommScope products or services. CommScope is committed to the highest standards of business integrity and environmental sustainability, with a number of CommScope's facilities across the globe certified in accordance with international standards, including ISO 9001, TL 9000, and ISO 14001. Further information regarding CommScope's commitment can be found at www.commscope.com/corporate-responsibility-and-sustainability.

PA-1153931-EN (04/21)